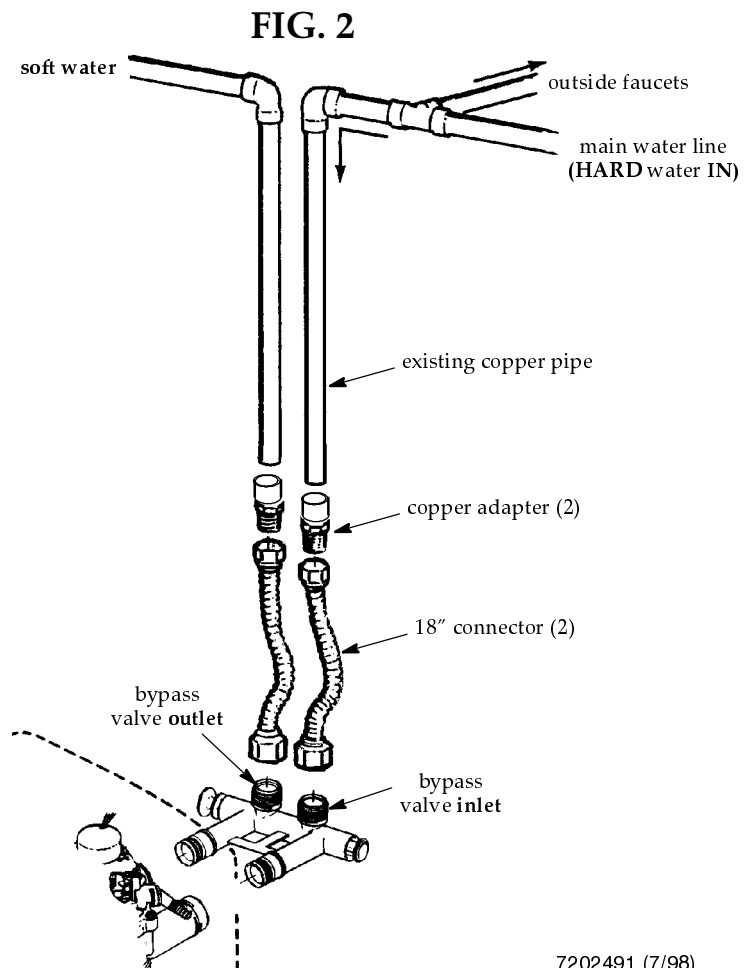
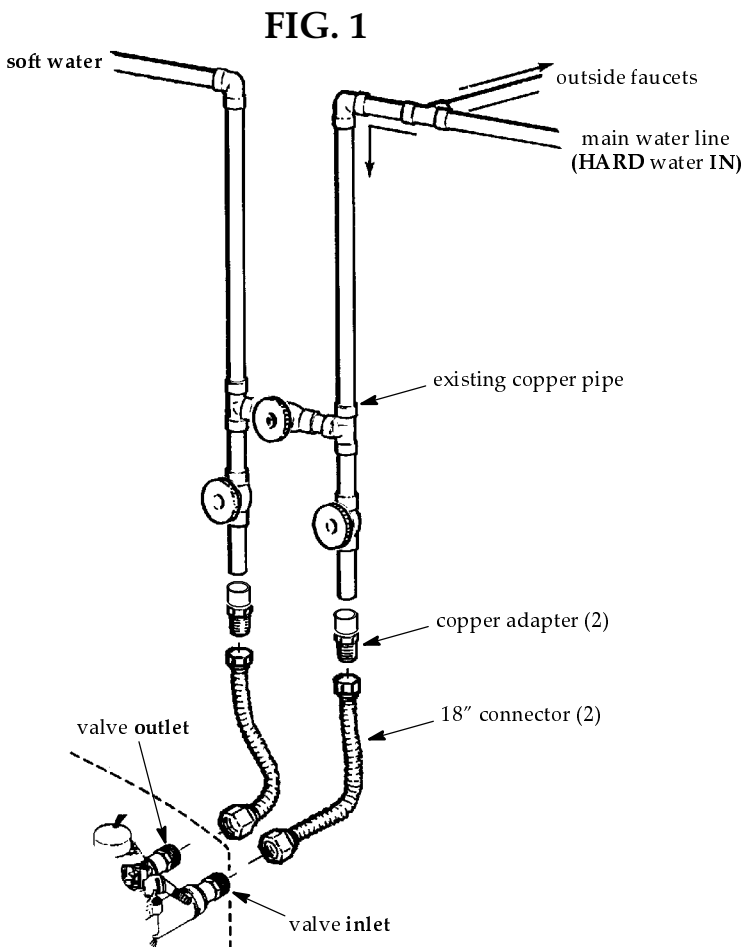


DO-IT-YOURSELF INSTALLATION INSTRUCTIONS FOR FLEXIBLE CONNECTORS 3/4" copper pipe systems

(see 3/4" threaded pipe systems on reverse side)

1. Before starting installation, make sure the 18" connectors are long enough to reach from the softener or bypass valve inlet-outlet, to the copper pipe, as typically shown in FIG. 1 and FIG.2. If not, you will need additional pipe and fittings. The bypass valve is sold separately, or is included with some models.
2. If the 18" connectors will reach, be sure rubber washers are inside both ends of both connectors. Then, turn and tighten the 1" ends of both connectors onto the softener inlet and outlet (FIG. 1), or onto the bypass valve inlet and outlet (FIG. 2).
3. Turn (do not tighten) the copper adapters into the 3/4" end of both 18" connectors. Position the softener and carefully bend the connectors to fit the adapters to the existing copper pipes.
4. Remove the copper adapters from the connectors. Use emery cloth, fine sandpaper or steel wool to clean the inside of the adapters and the ends of the copper pipes.
5. Apply paste flux liberally inside the adapters and onto the ends of the copper pipes. Place the adapters onto the pipes, and turn them to spread the flux. Then, solder the adapters to the pipes.
6. **After soldered adapters have cooled**, turn on and tighten the 3/4" end of both 18" connectors. **BE SURE TO CONNECT SO HARD WATER IS DIRECTED TO THE SOFTENER INLET SIDE.**
7. When pressure testing the softener, check all connections for leaks.



DO-IT-YOURSELF INSTALLATION INSTRUCTIONS FOR FLEXIBLE CONNECTORS 3/4" threaded pipe systems

(see 3/4" copper pipe systems on reverse side)

1. Before starting installation, make sure the 18" connectors are long enough to reach from the softener or bypass valve inlet-outlet, to the threaded pipe, as typically shown in FIG. 3 and FIG. 4. If not, you will need additional pipe and fittings. The bypass valve is sold separately, or is included with some models.
2. If the 18" connectors will reach, be sure rubber washers are inside both ends of both connectors. Then, turn and tighten the 1" ends of both connectors onto the softener inlet and outlet (FIG. 3), or onto the bypass valve inlet and outlet (FIG. 4).
3. Position the softener and carefully bend the connectors to fit to the existing pipes. Turn on and tighten the 3/4" end of both 18" connectors. Use care not to cross-thread. **BE SURE TO CONNECT SO HARD WATER IS DIRECTED TO THE SOFTENER INLET SIDE.**
4. When pressure testing the softener, check all connections for leaks.

Note: The 2 copper adapters are not used.

FIG. 3

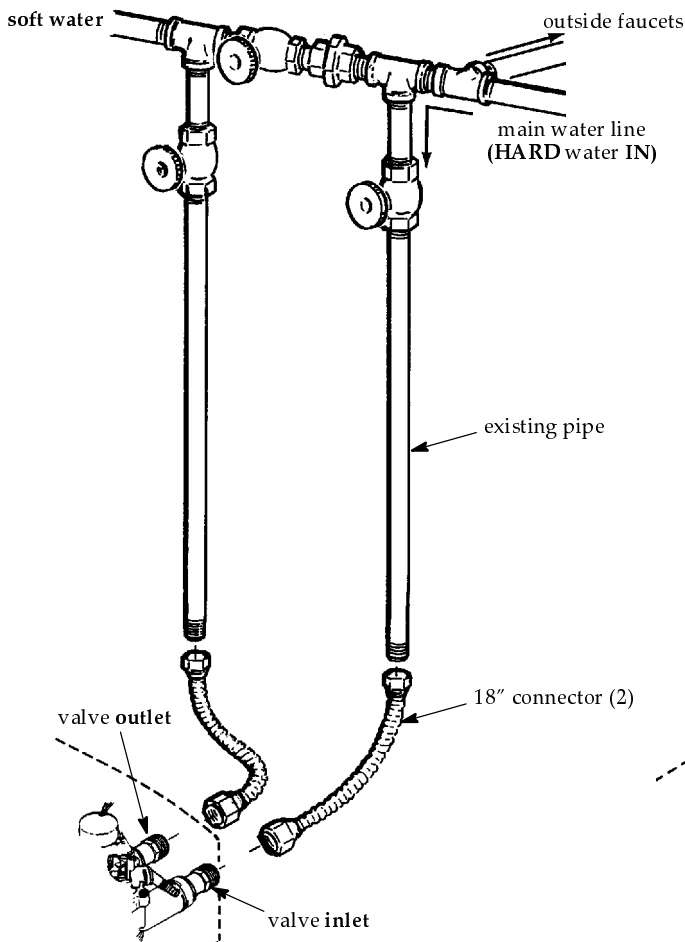


FIG. 4

