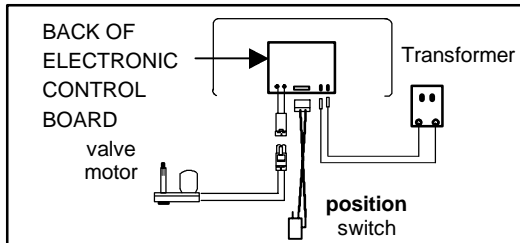


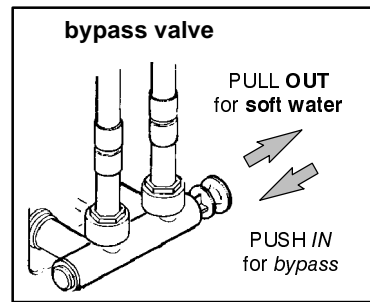
# REPLACEMENT COVERS INSTALLATION INSTRUCTIONS

1. Unplug transformer from electrical power.
2. Turn off main water supply to the house.
3. Open a faucet close to the water supply to de-pressurize system.
4. Remove salt hole cover and set aside.
5. Slide top cover forward to expose valve.
6. Unplug wire harness from position switch. **Figure 1.**
7. Unplug motor terminals, and power supply terminals from back of electronic control board. **Figure 1.**
8. Lay faceplate cover facedown and carefully remove the electronic control board by un-snapping it from the retainer tabs.
9. Position electronic control board in place in new top cover. Carefully snap into the retainer tabs.
10. Plug the motor terminal, position switch wire harness and the power supply terminals back onto the electronic control board in new top cover. **See Figure 1 for correct positioning.**
11. Remove the two black c-clips which hold the bypass valve on to the main water softener valve.
12. Push the bypass stem in for bypass and pull bypass valve away from water softener. **Figure 2.**
13. Loosen the ferrule nut and disconnect brine line from nozzle and venturi assembly. **Figure 3.**
14. Remove retainer clips and clamps from around the tank neck and remove valve. Set valve aside. **Figure 4.**
15. Remove locking plate and vapor barrier by carefully unsnapping the locking plate from the hole in the salt storage tank. Replace with new vapor barrier and new locking plate. Snap into position. **Figure 5.**
16. Lubricate all o-rings with silicone grease.
17. With all o-rings (lubricated with silicone grease) and the top distributor in place in the top of the tank, check the riser pipe length. It should be about even with the top edge of the top distributor. **Figure 4.**
18. Be sure all parts are clean and free of resin beads and other debris, including the bottom of the valve assembly. Lightly lubricate with silicone grease the o-ring sealing surface in the inside of the valve port, at the bottom of the valve. **Figure 4.**
19. Locate the distributor o-ring at the very top of the riser pipe as shown in **Figure 4.** DO NOT SLIDE IT DOWN TO REST AGAINST THE TOP DISTRIBUTOR.
20. Lower the valve assembly onto the tank, aligning it with the riser pipe, and work it over the o-ring and onto the adaptor. Clamp into place. **Figure 4.**
21. Reconnect the water softener to the bypass valve. Attach with black c-clips.
22. Reconnect brine line to nozzle and venturi assembly by hand tightening the ferrule nut. **Figure 3.**
23. Slide top cover back into place.

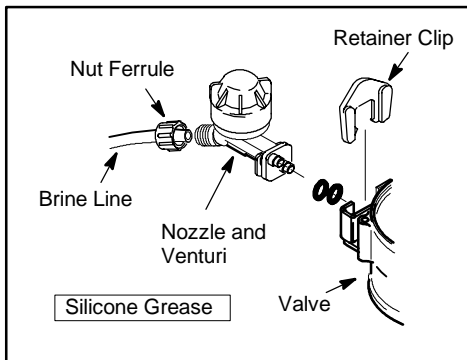
24. Plug position switch wire harness back onto switch under the motor. **Figure 1.**
25. Replace salt hole cover.
26. Plug transformer back into electrical outlet.
27. Slowly open main water supply valve.
28. Return softener to the soft water position by pulling out the bypass valve stem as shown in **Figure 2.** To verify proper function of the softener, complete the manual advance diagnostics as outlined in the **Installation/Operation manual.**



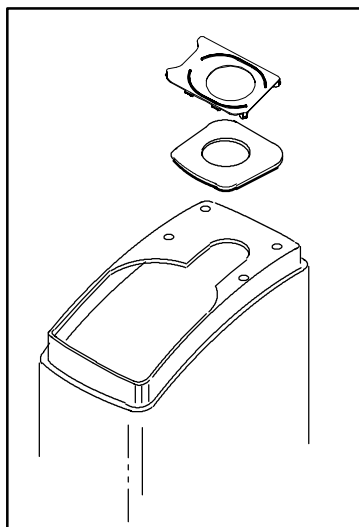
**Figure 1**



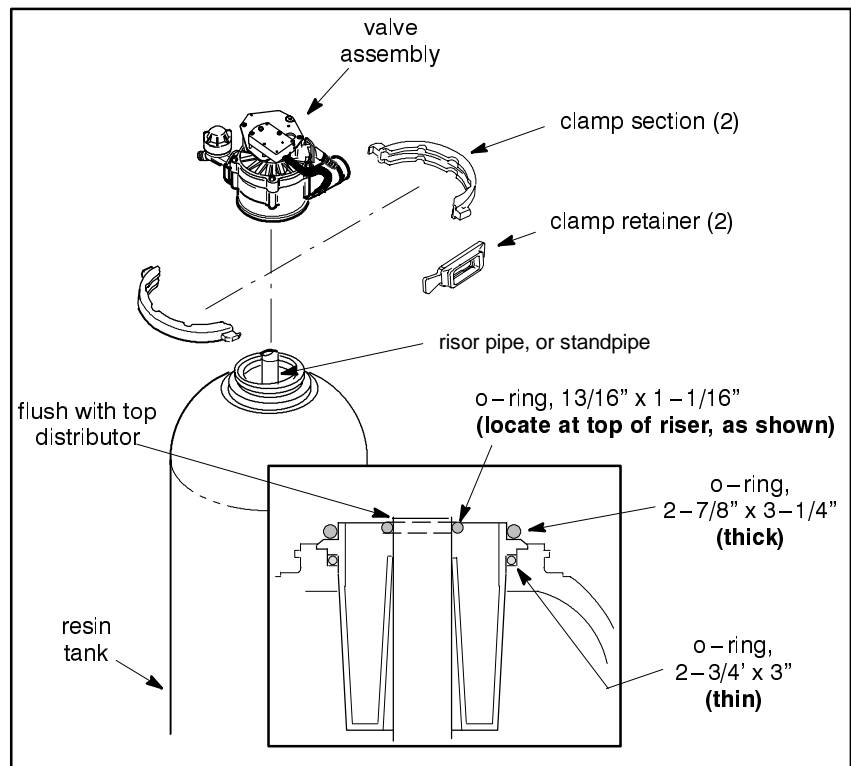
**Figure 2**



**Figure 3**



**Figure 5**



**Figure 4**